



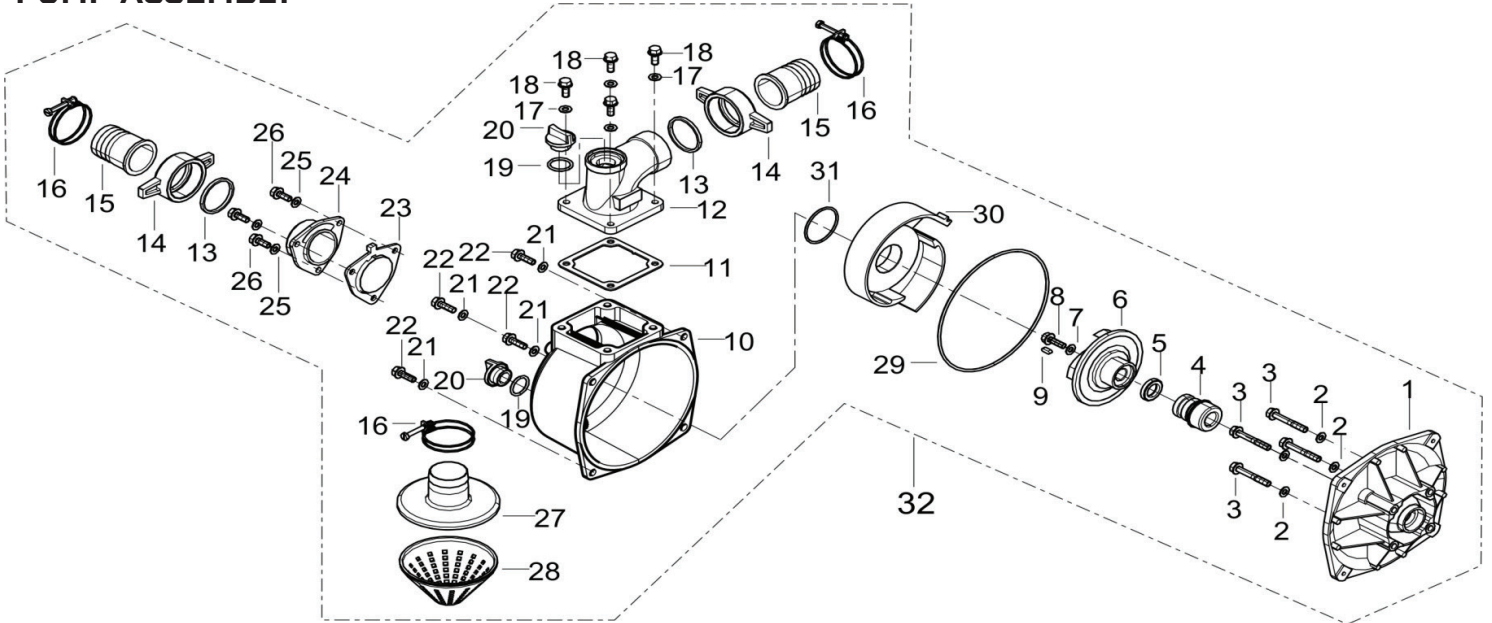
PARTS BREAKDOWN

3" WATER PUMP

MODEL: MCCEW365HR

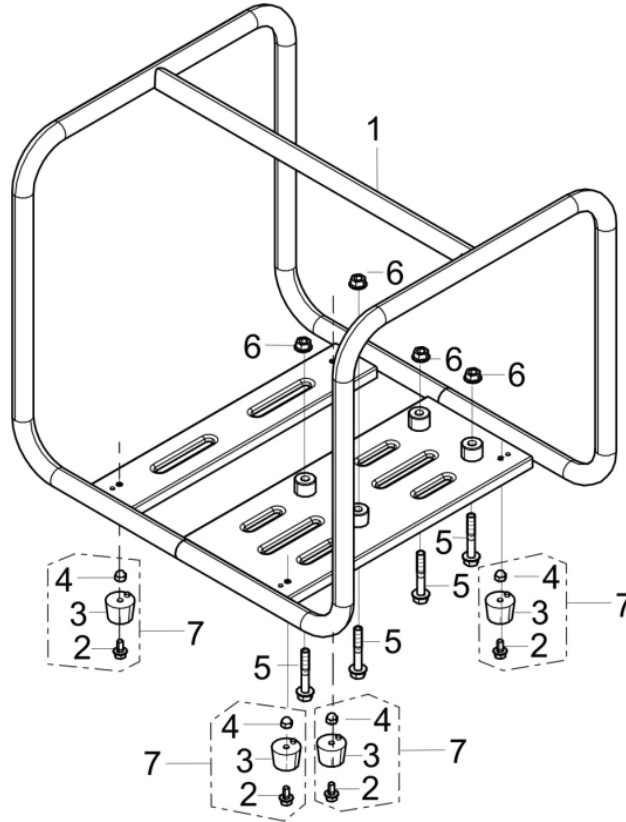


PUMP ASSEMBLY



| REF # | DESCRIPTION | QTY | BE PART # |
|-------|----------------------------------|-----|------------|
| 1 | Water Pump Joint | 1 | 50.003.207 |
| 2 | Washer | 4 | 50.003.200 |
| 3 | Bolt | 4 | |
| 7 | Washer | 1 | |
| 8 | Bolt | 1 | |
| 9 | Key | 1 | |
| 17 | Washer | 4 | |
| 22 | Bolt | 4 | 50.003.202 |
| 4 | Mechanical Seal | 1 | |
| 5 | Porcelain Seal | 1 | |
| 11 | Outlet Gasket | 1 | |
| 23 | Inlet Gasket | 1 | |
| 29 | Joint Cushion | 1 | 50.003.201 |
| 31 | Whorl Case Sealing Ring | 1 | |
| 6 | Impeller | 1 | |
| 10 | Pump Body | 1 | |
| 12 | Outler | 1 | 50.003.206 |
| 24 | Inlet | 1 | |
| 19 | Plug Washer | 2 | 50.002.203 |
| 20 | Plug | 2 | |
| 27 | Strainer Top | 1 | 50.003.208 |
| 28 | Strainer Bottom | 1 | |
| 30 | Whorl Case | 1 | 50.003.205 |
| ** | Complete Frame and Pump Assembly | 1 | 85.150.203 |

FRAME ASSEMBLY



| REF # | DESCRIPTION | QTY | BE PART # |
|-------|------------------------------------|-----|------------|
| 2 | Bolt | 4 | 50.002.205 |
| 3 | Engine Frame Shock Absorption Seat | 4 | |
| 4 | Acorn Nut | 4 | |

***CHECK WITH HONDA FOR ENGINE BREAKDOWN AND PARTS**



If you need technical assistance call:

1-866-850-6662

(8:00am - 4:30pm PST, Mon - Fri)