



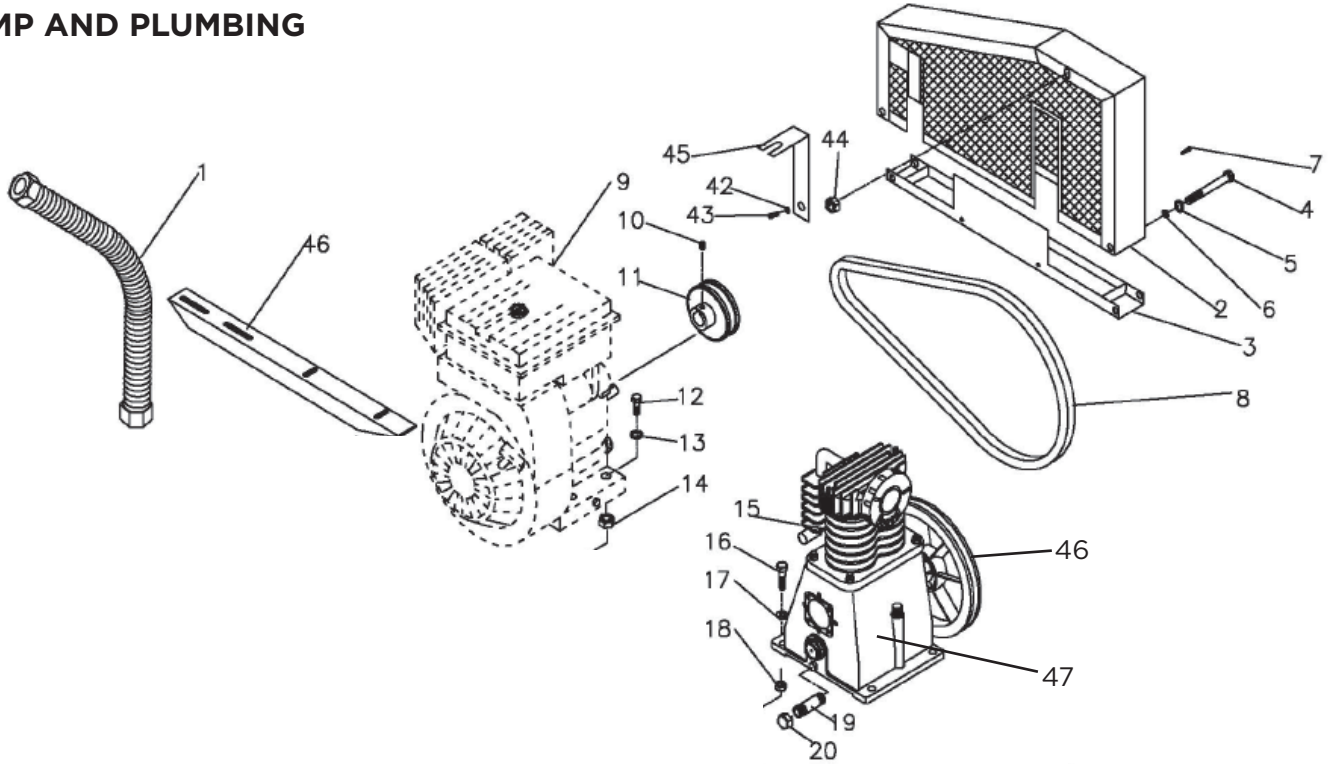
PARTS BREAKDOWN

AIR COMPRESSOR

MODEL: BCCAC708RB



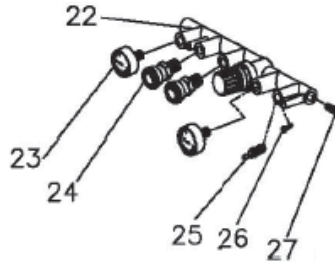
PUMP AND PLUMBING



REF #	DESCRIPTION	QTY	BE PART #
1	STEEL BRAIDED DISCHARGE PIPE	1	42.004.020
2	BELT GUARD ASSEMBLY	1	42.008.013
8	BELT	1	42.004.021
11	MOTOR PULLEY	1	42.004.029
45	BELT GAURD BRACKET	1	42.004.032
46	PUMP PULLEY	1	42.008.010
47	COMPLETE PUMP ASSEMBLY (INCLUDES PULLEY)	1	42.004.022

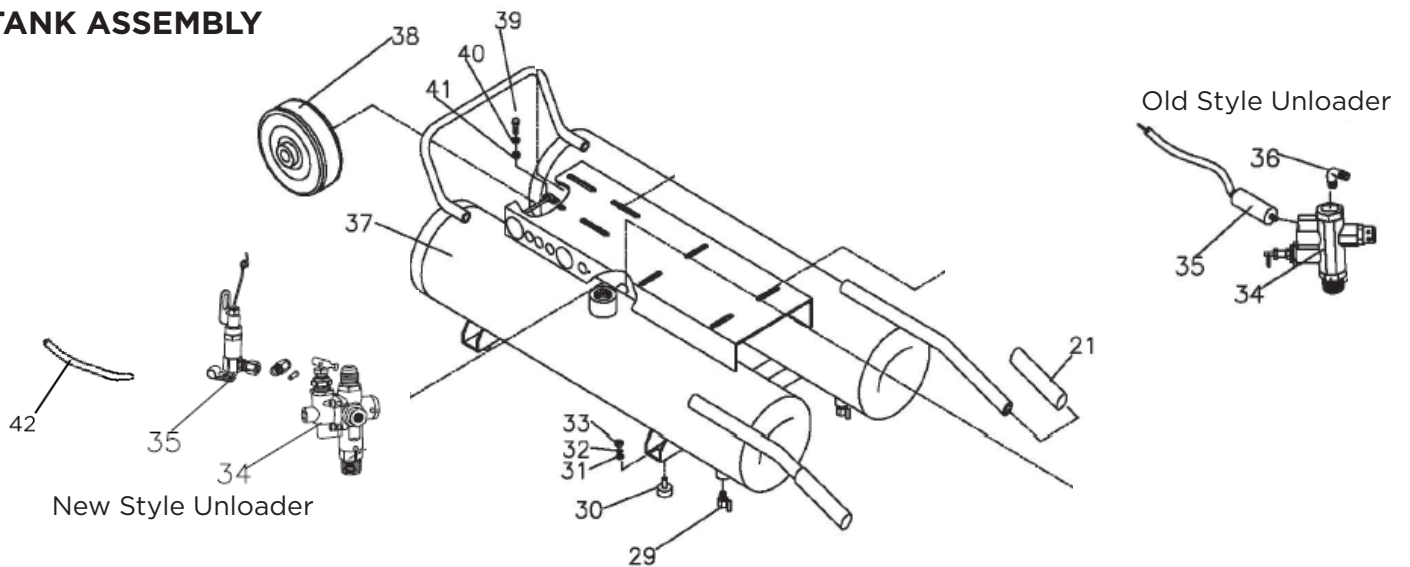
***CHECK POWEREASE 225 FOR ENGINE BREAKDOWN AND PARTS**

MANIFOLD ASSEMBLY



REF #	DESCRIPTION	QTY	BE PART #
22	BARE MANIFOLD	1	42.004.023
23	PRESSURE GAUGE	2	42.004.031
24	QUICK COUPLERS	2	42.000.047
25	SAFETY VALVE	1	42.006.009
22-27	COMPLETE MANIFOLD ASSEMBLY	1	42.004.011

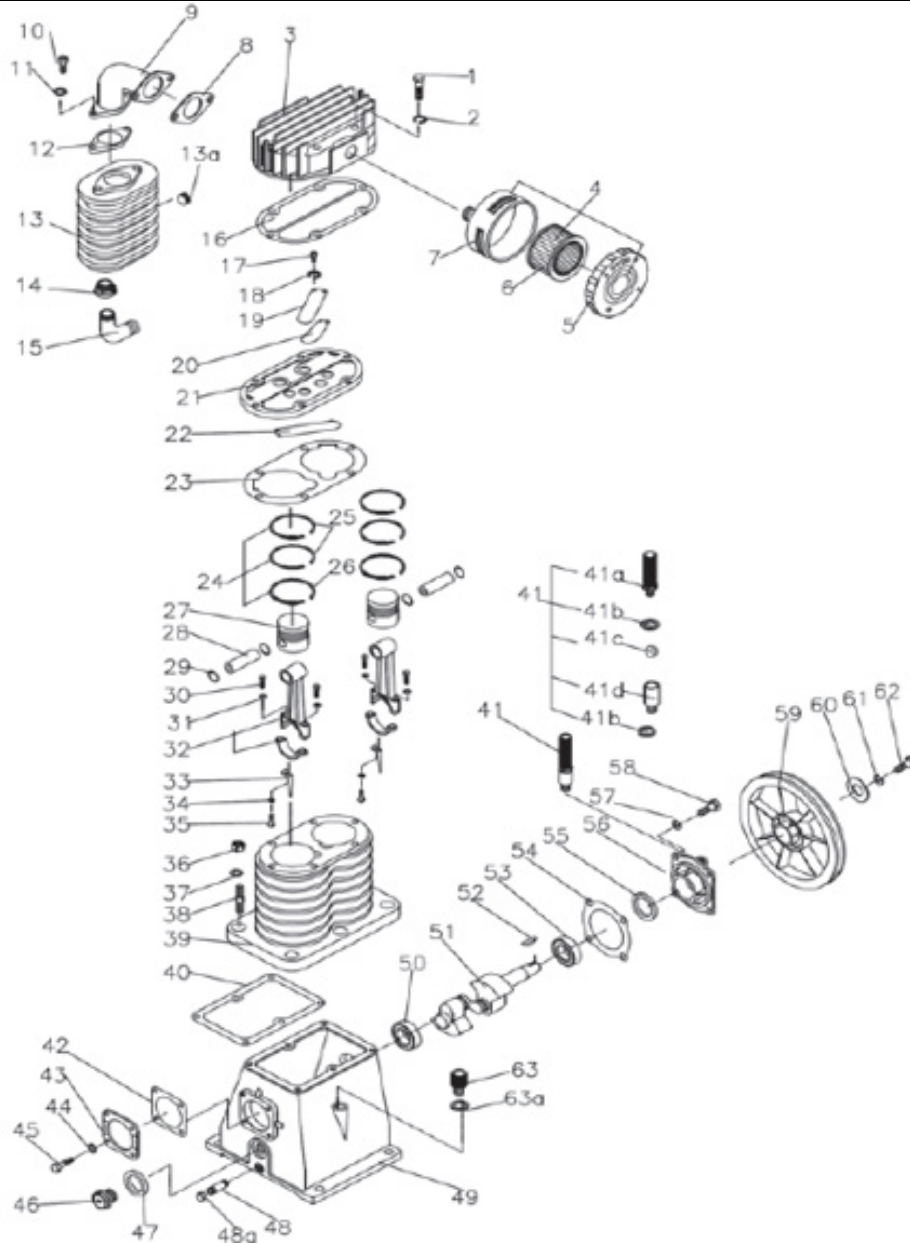
TANK ASSEMBLY



REF #	DESCRIPTION	QTY	BE PART #
38	WHEEL	1	42.004.010
29	TANK DRAIN VALVE	2	42.004.025
30-33	RUBBER FOOT REPLACEMENT KIT (EACH)	4	85.660.007BT
34	PILOT UNLOADER VALVE	1	42.010.024
35	ENGINE THROTTLE CONTROL	1	42.010.026
42	ENGINE THROTTLE HOSE	1	42.010.029
34,35,42	UNLOADER REPLACEMENT KIT*	1	42.010.044

*Old style units had wire actuated throttle cables. New version is pneumatic actuated. Replacement kit upgrades old style into new.

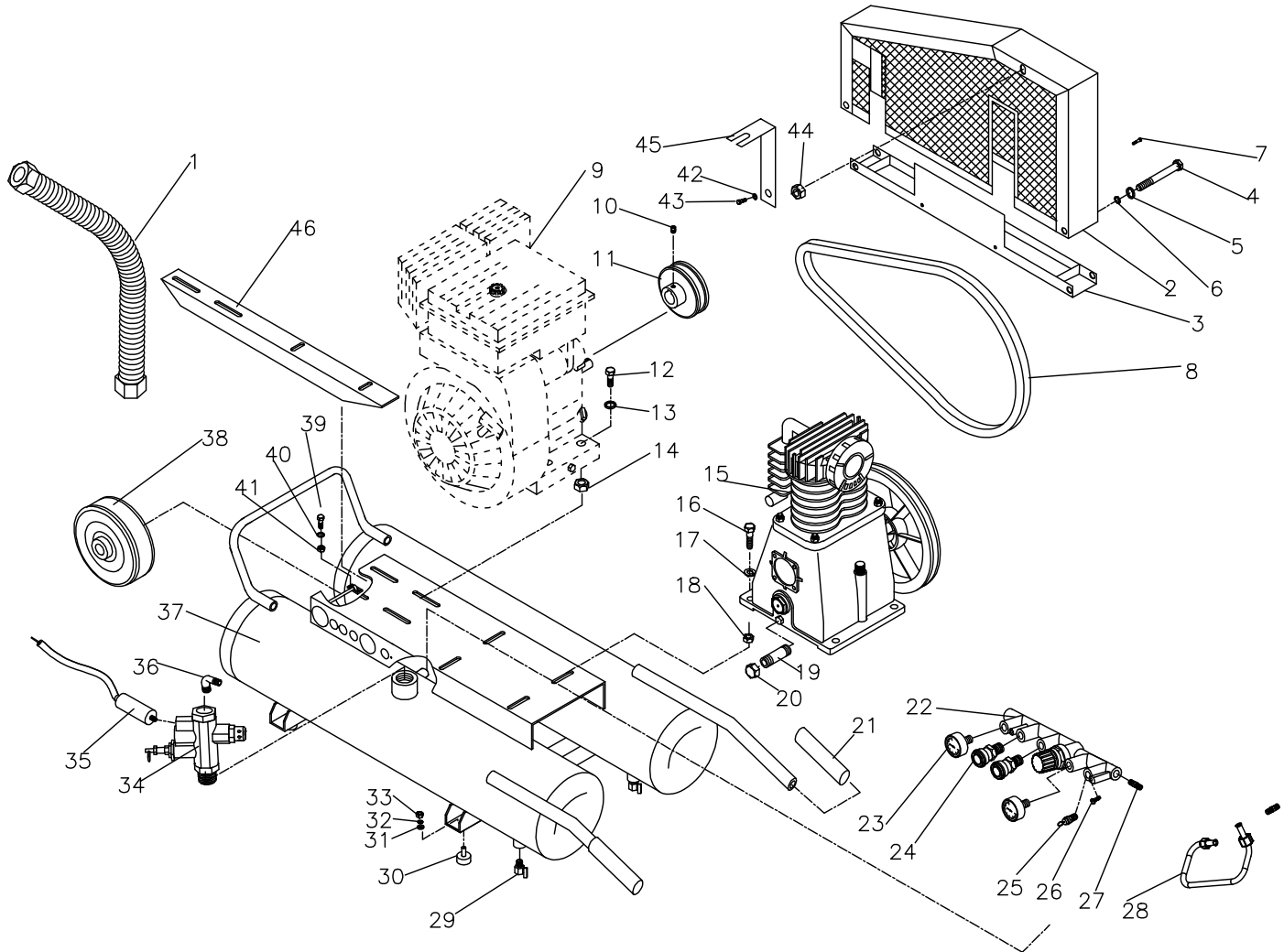
PUMP ASSEMBLY



REF #	DESCRIPTION	QTY	BE PART #
3	CYLINDER HEAD	1	42.008.009
4	AIR FILTER ASSEMBLY	1	42.004.028
16	CYLINDER HEAD GASKET	1	42.008.014
41	BREATHER ASSEMBLY	1	42.004.030
59	PUMP PULLEY	1	42.008.010
63	OIL BREATHER PLUG	1	42.008.011
63a	OIL BREATHER PLUG WASHER	1	42.008.012
**	COMPLETE PUMP ASSEMBLY	1	42.004.022

MODEL: BCCAC708RB

COMPLETE ASSEMBLY
(FOR REFERENCE)





If you need technical assistance call:

1-866-850-6662

(8:00am - 4:30pm PST, Mon - Fri)