

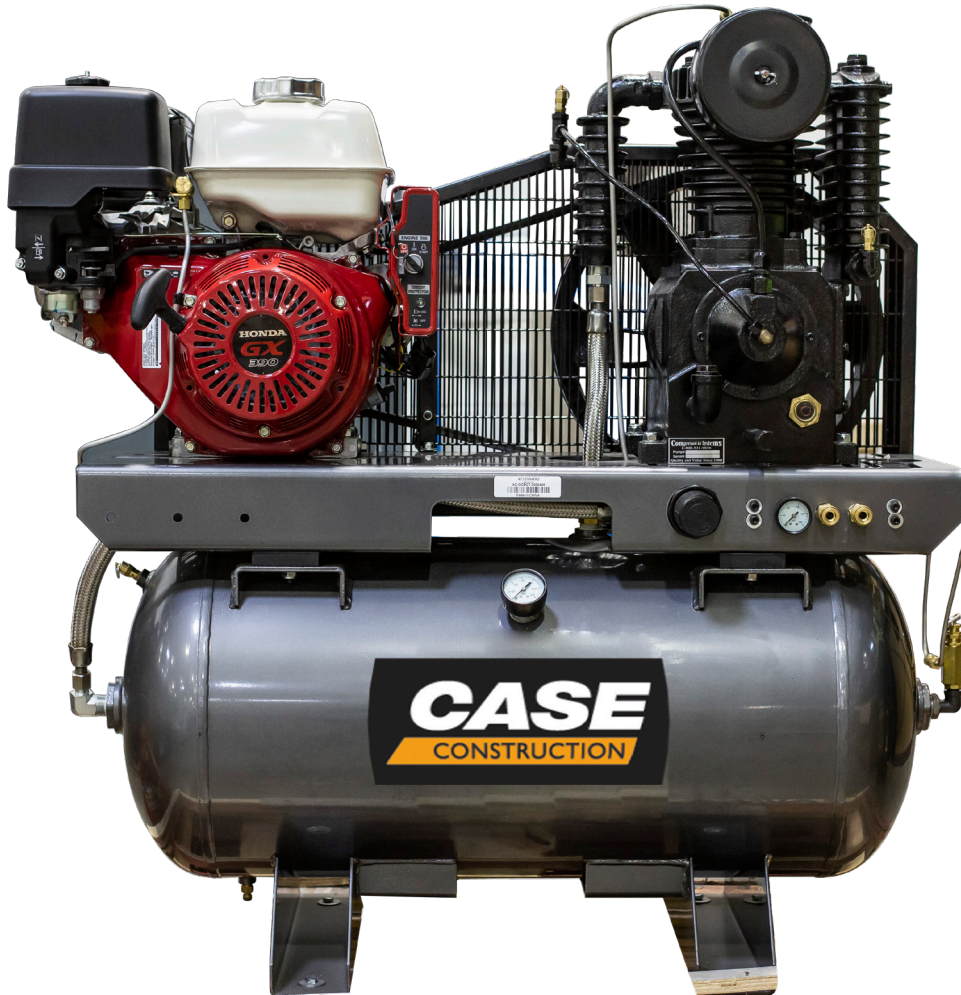
**CASE**  
CONSTRUCTION

# PARTS BREAKDOWN

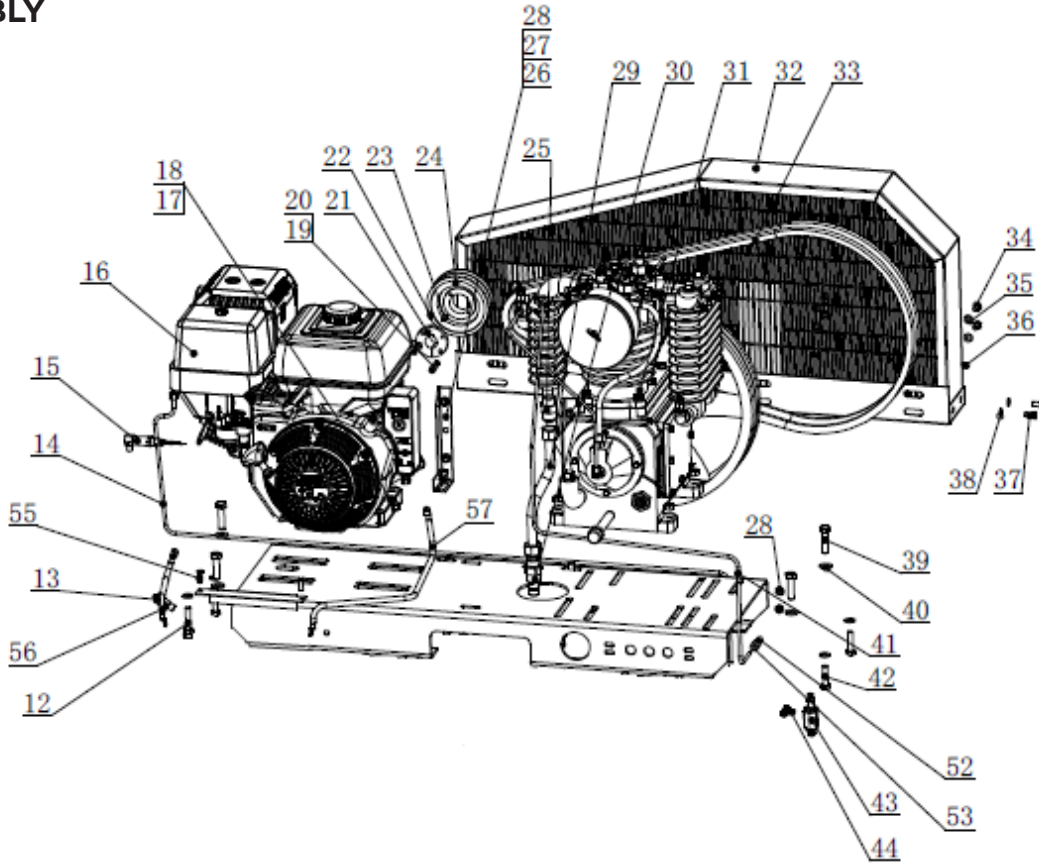
## AIR COMPRESSOR

MODEL:BCCEAC1330HEB

---



TOP ASSEMBLY

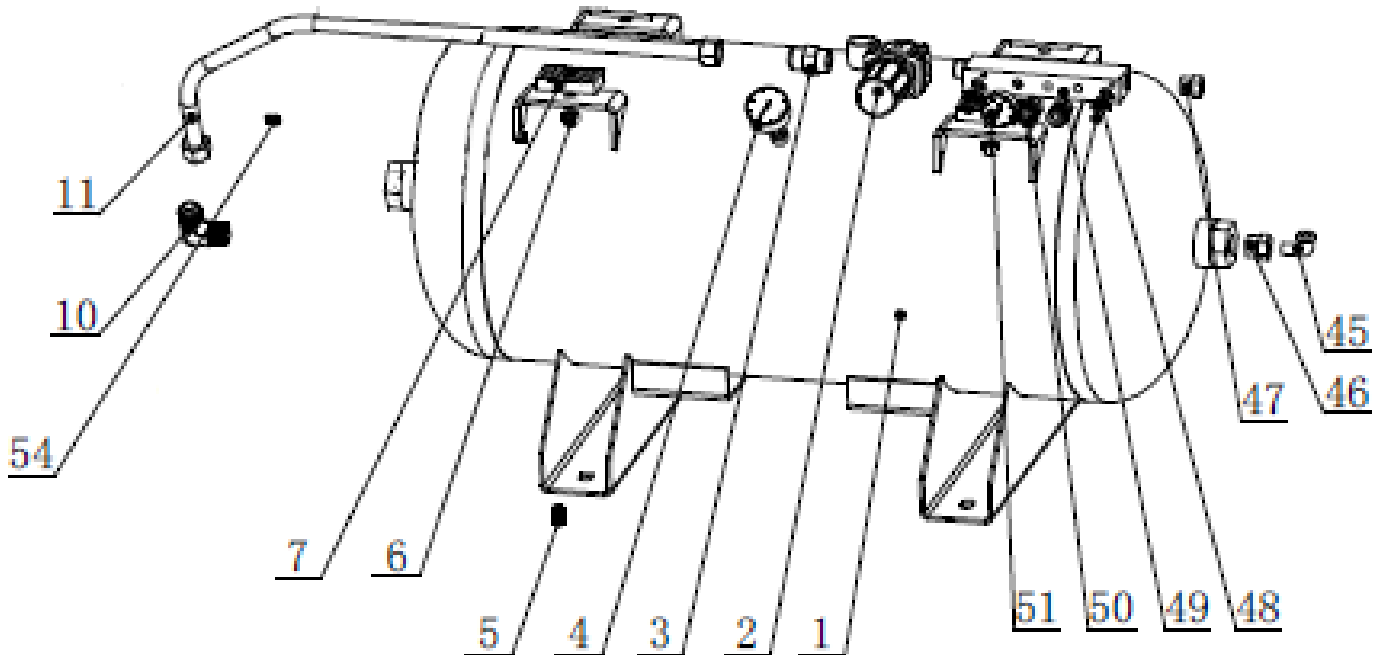


REF #	DESCRIPTION	QTY	BE PART #
11	FLEX LINE	1	42.005.082
15	BULLWHIP THROTTLE CONTROL	1	42.010.027
16	HONDA GX390	1	CHECK WITH HONDA
19	HEX SOCKET HEAD CAP SCREW	2	42.005.087
21	PULLEY BUSHING	1	
22	SOCKET HEAD CAP SCREW	1	
23	PLAIN KEY	1	
24	MOTOR PULLEY	1	
29	FLEX LINE	1	42.005.083
31	CA1U PUMP PUMP ASSEMBLY	1	42.005.020
32	BELT GUARD	1	42.005.078
33	**V BELT	1	B77
43	UNLOADER PILOT VALVE	1	42.005.069

\*CHECK WITH HONDA FOR ENGINE BREAKDOWN AND PARTS

\*\*BELTS NOT SOLD THROUGH BE. CHECK WITH LOCAL SUPPLIER

### TANK ASSEMBLY

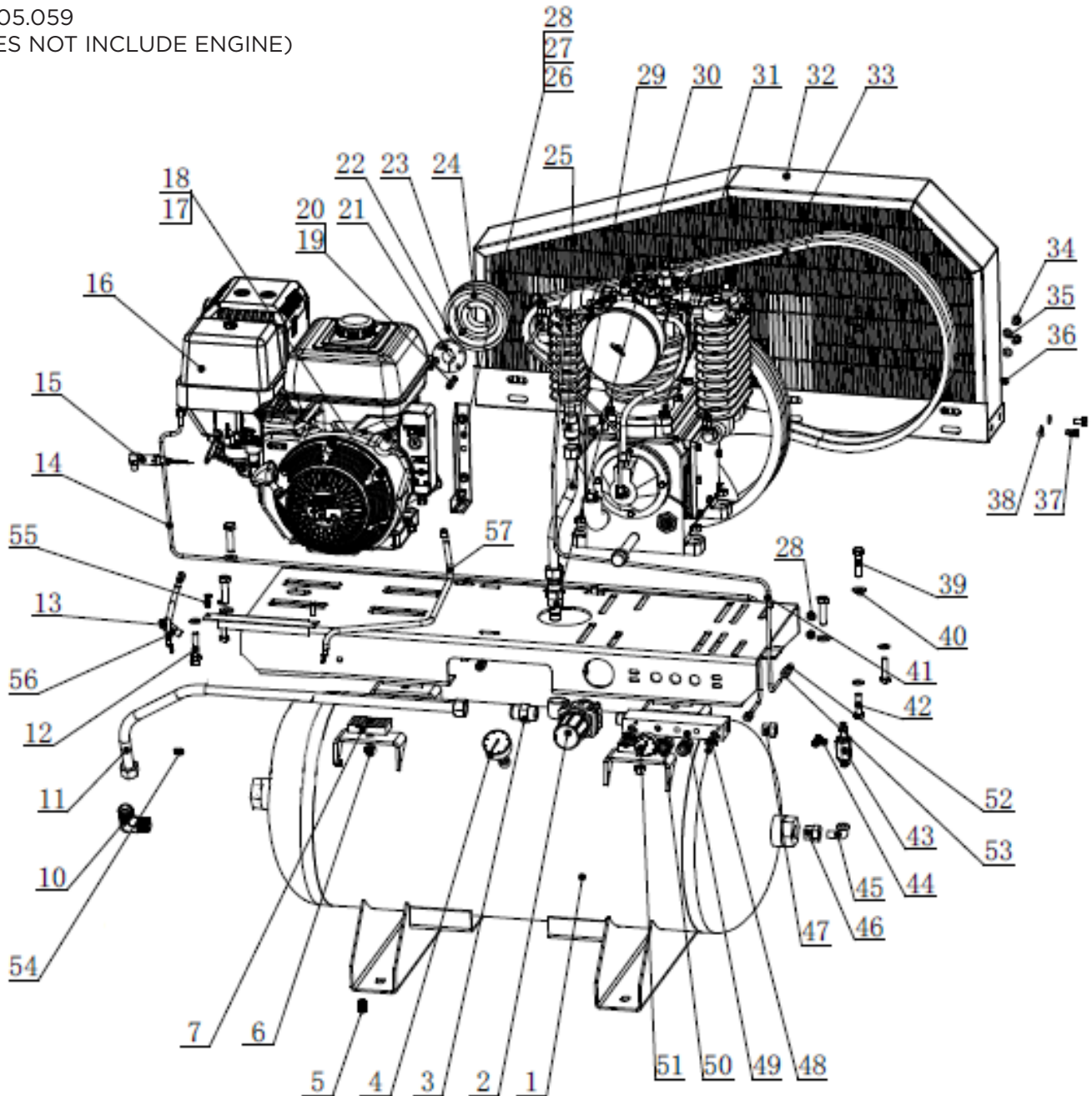


REF #	DESCRIPTION	QTY	BE PART #
2	PRESSURE REGULATOR VALVE	1	42.005.080
5	TANK DRAIN VALVE	1	42.006.041
48	SAFETY RELIEF VALVE	1	42.010.028
49	MANIFOLD	1	42.005.090
50	BRASS COUPLER	2	42.000.046
51	PRESSURE REGULATING	1	42.005.080

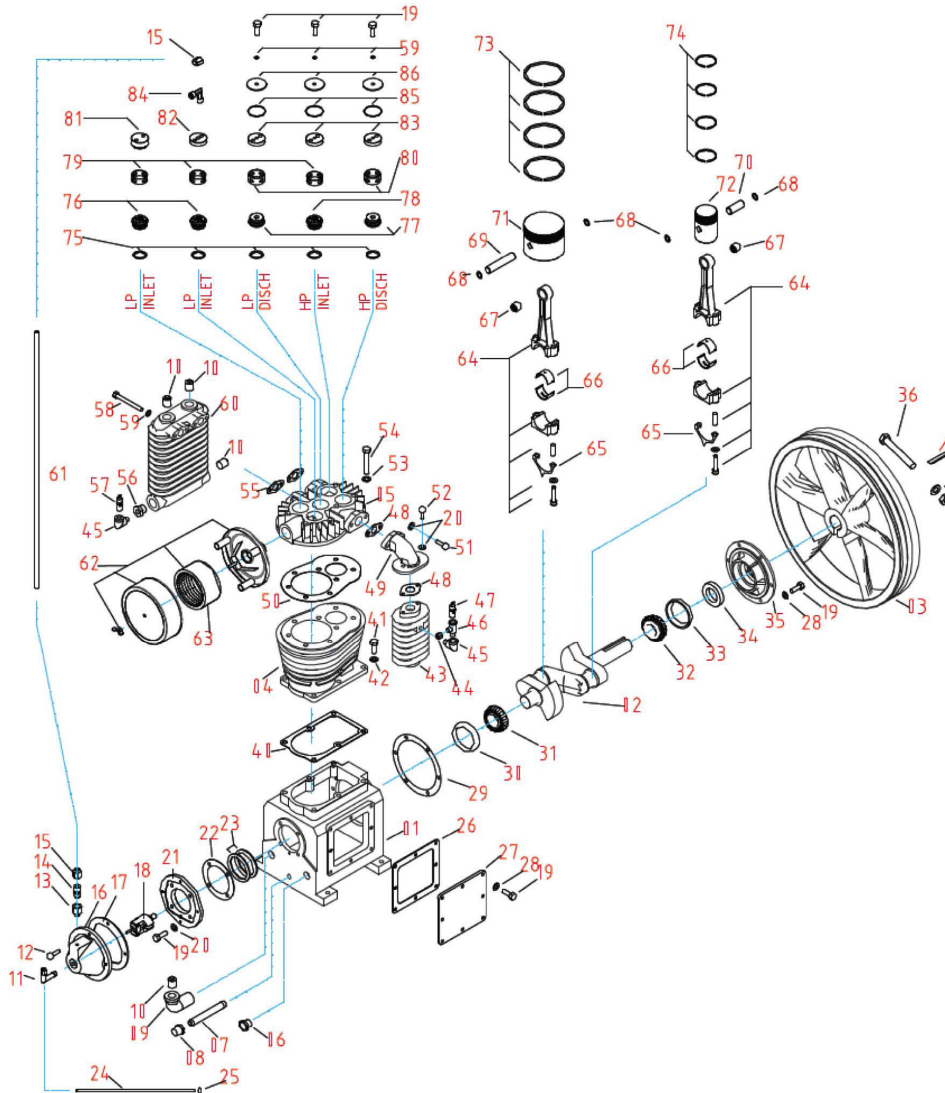
### COMPLETE PUMP TANK ASSEMBLY

42.005.059

(DOES NOT INCLUDE ENGINE)

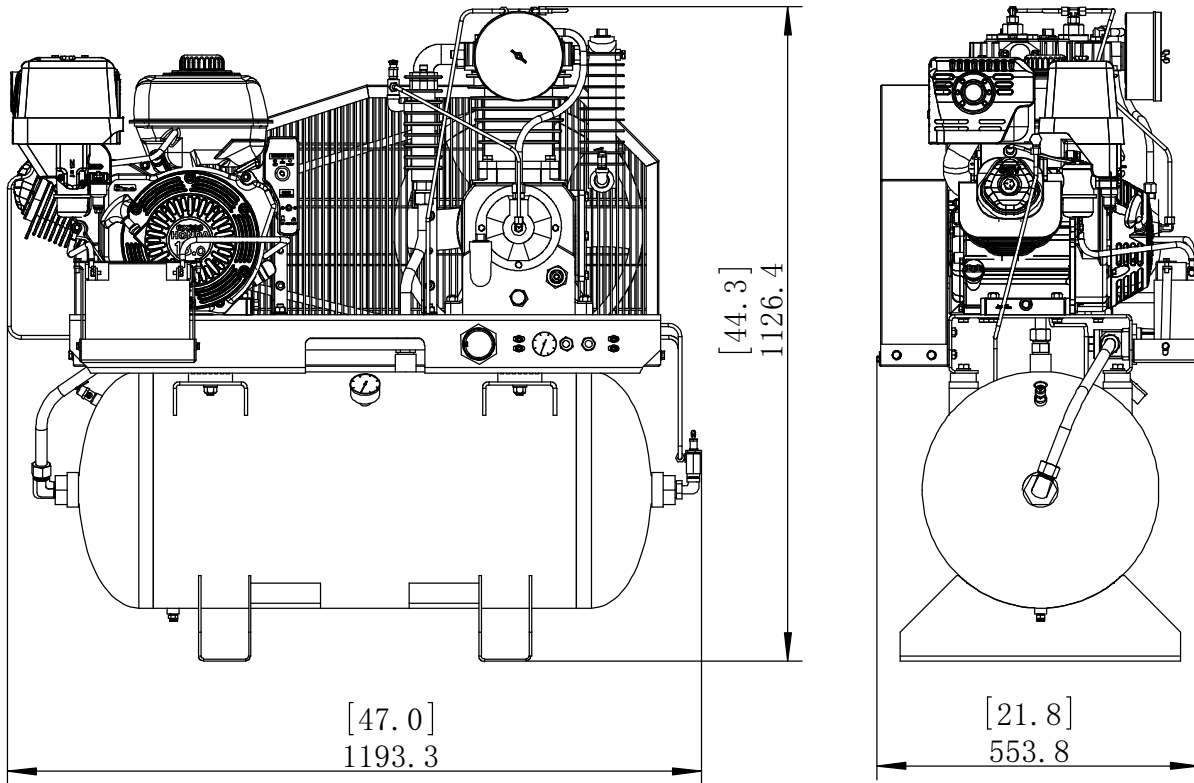


### CA1 PUMP



REF #	DESCRIPTION	QTY	BE PART #
11,12	CENTRIFUGAL UNLOADER ELBOW	1	42.005.022
13	PUMP FLYWHEEL	1	42.005.057
62	AIR FILTER ASSEMBLY	1	42.008.052
63	AIR FILTER ELEMENT	1	42.005.028

### DIMENSIONS



DIMENSION	MEASUREMENT	QTY
LENGTH	INCHES	47
	MILLIMETERS	1193
WIDTH	INCHES	21.8
	MILLIMETERS	553.8
HEIGHT	INCHES	44.3
	MILLIMETERS	1126.4

\*SHOWN WITH OPTIONAL BATTERY KIT INSTALLED

DESCRIPTION	QTY	BE PART #
LITHIUM-ION BATTERY	1	85.573.108
BATTERY BOX AND BRACKET	1	85.603.005
BATTERY CABLE, 10 GAUGE, RED	1	85.603.009
BATTERY CABLE, 10 GAUGE, BLACK	1	85.603.010
BATTERY TERMINAL RING, 1/4"	4	85.504.006
BATTERY TERMINAL COVER, RED	1	85.504.029
BATTERY TERMINAL COVER, BLACK	1	85.504.030



---

If you need technical assistance call:

**1-866-850-6662**

(8:00am - 4:30pm PST, Mon - Fri)