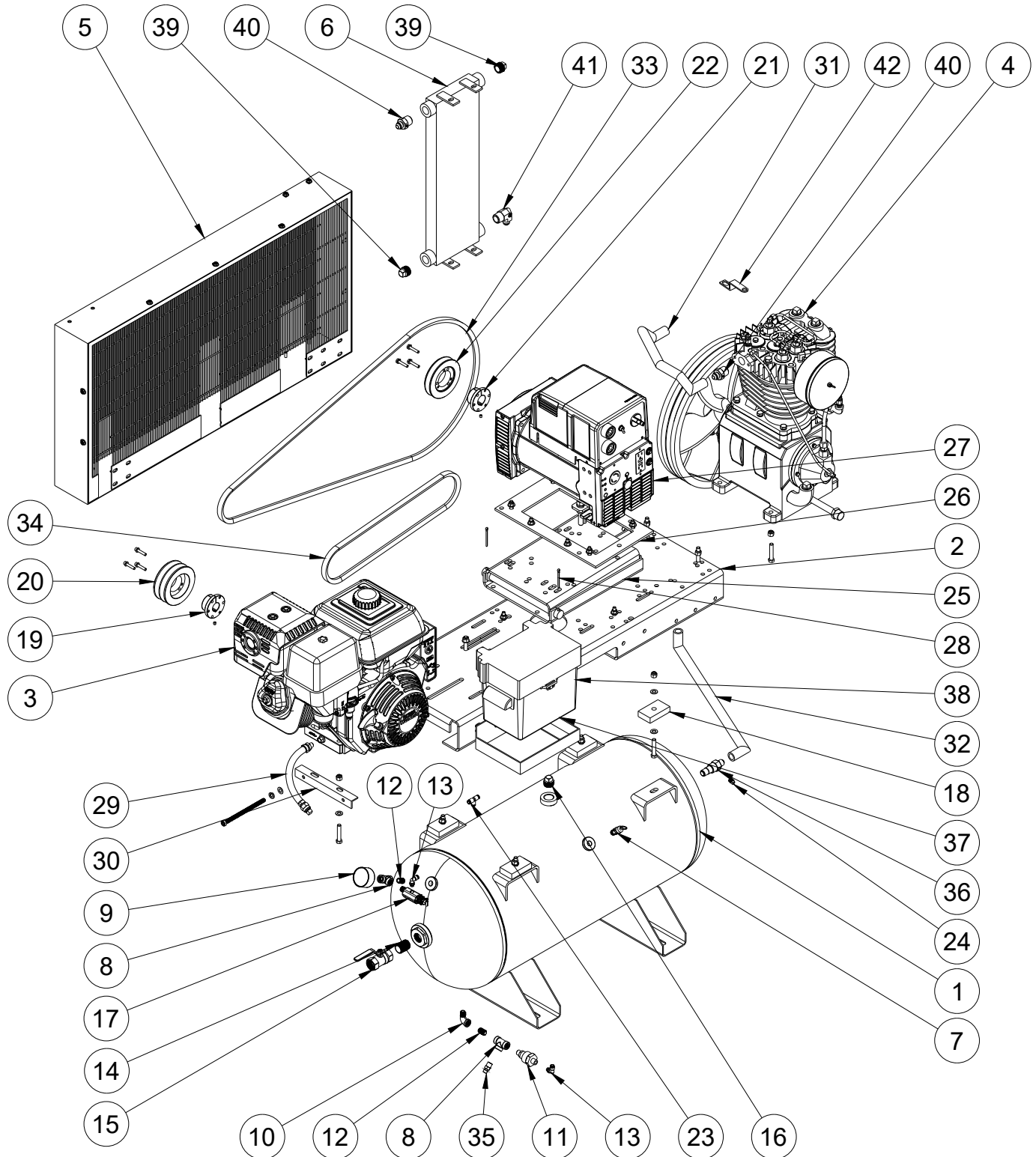




BREAKDOWN





PARTS BREAKDOWN

AIR COMPRESSOR/WELDER/GENERATOR

MODEL:BCCEAC1330HGW

PARTS LIST

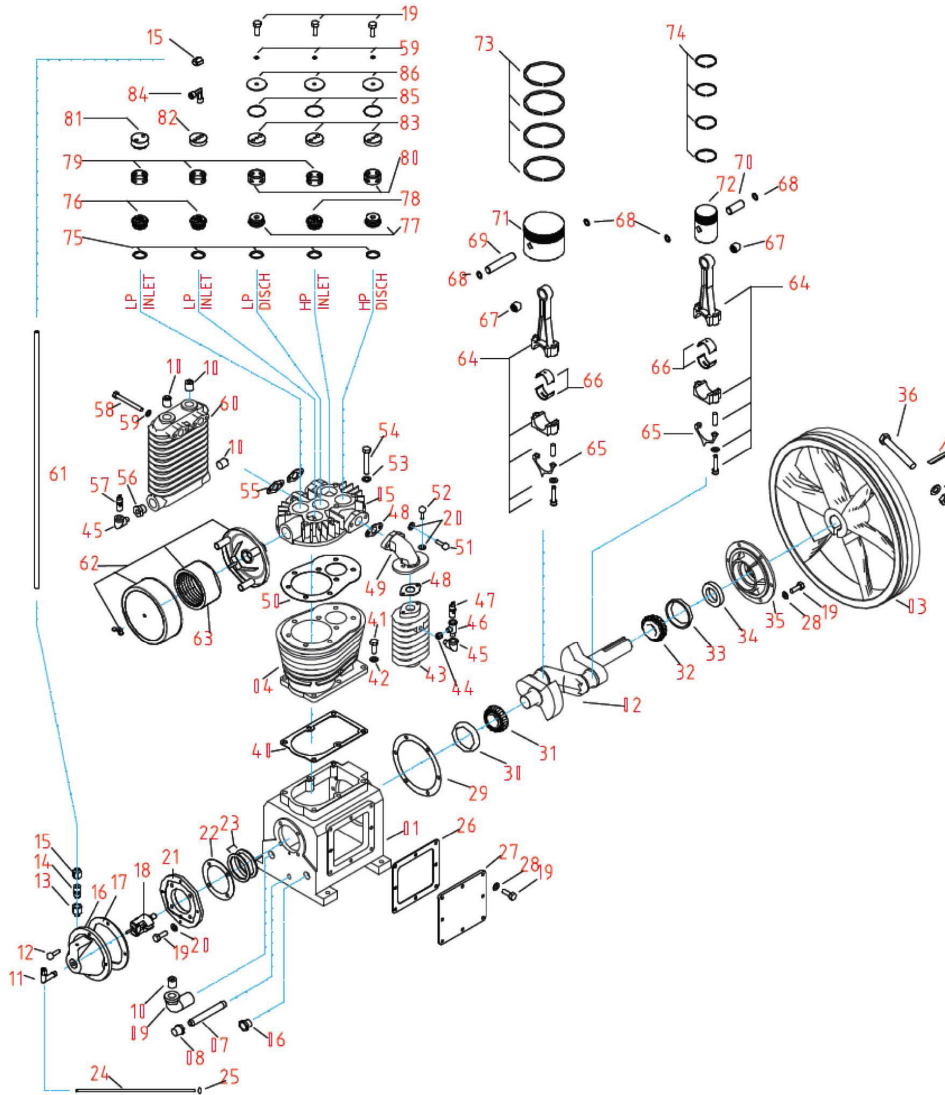
REF #	DESCRIPTION	QTY	BE PART #
3	*HONDA GX390 ENGINE	1	*CHECK WITH HONDA
4	CA1U PUMP	1	SEE PAGE 4
9	TANK PRESSURE GAUGE, 300 PSI	1	42.004.034
11	AUTOMATIC TANK DRAIN BRASS VALVE	1	42.005.017
17	PILOT UNLOADER VALVE	1	42.005.069
18	**BATTERY BOX WITH TRAY AND WIRES	1	42.005.068
27	SINCRO WELDER/GENERATOR	1	**CHECK WITH SINCRO
34	***BELT - WELDER/GENERATOR	1	***BX39
33	***BELT - PUMP	1	***B84

*CHECK WITH HONDA FOR ENGINE BREAKDOWN AND PARTS.

**CHECK WITH SINCRO FOR PARTS AND BREAKDOWNS. MODEL EW 240 MDC

***BELTS NOT SOLD THROUGH BE. CHECK WITH LOCAL SUPPLIER.

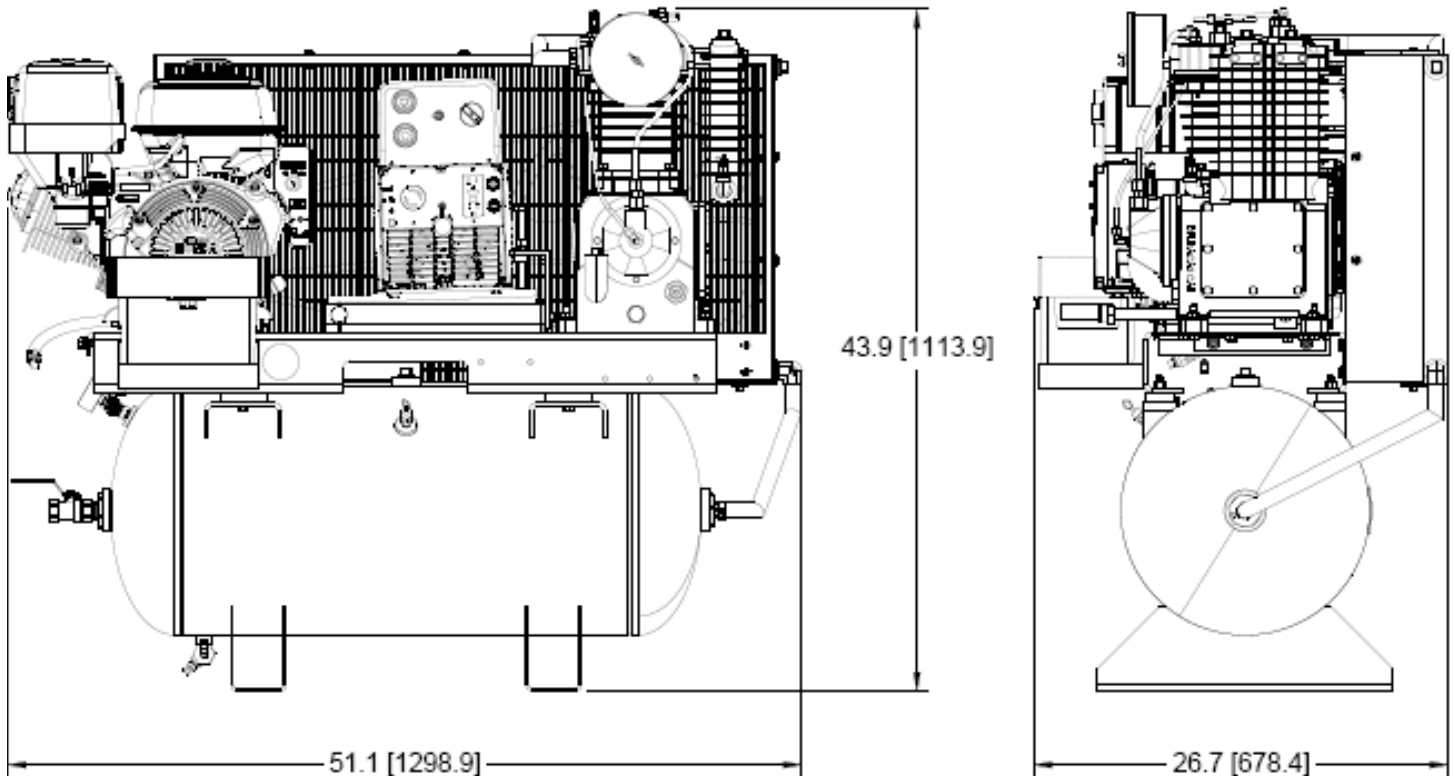
CA1U PUMP
42.005.020



REF #	DESCRIPTION	QTY	BE PART #
11,12	CENTRIFUGAL UNLOADER ELBOW	1	42.005.022
13	PUMP FLYWHEEL	1	42.005.057
62	AIR FILTER ASSEMBLY	1	42.008.052
63	AIR FILTER ELEMENT	1	42.005.028

MODEL:BCCEAC1330HGW

DIMENSIONS



DIMENSION	MEASUREMENT	QTY
LENGTH	INCHES	51.1
	MILLIMETERS	1298.9
WIDTH	INCHES	26.7
	MILLIMETERS	678.4
HEIGHT	INCHES	43.9
	MILLIMETERS	1113.9
WEIGHT	POUNDS	550

COMPONENT	SPECIFICATION	RATING
AIR COMPRESSOR	AIR DELIVERED AT 175 PSI	19 CFM
	MAX PRESSURE	175 PSI
	TANK SIZE	30 GALLONS
WELDER	WELDER TYPE	DC STICK
	WELDER WORKING	180 AMP AT 60%
	WELDER OUTPUT DUTY CYCLE AT MAX	240 AMP AT 35%
GENERATOR	MAX OUTPUT	5,500 WATTS
	AMPS AVAILABLE AT 120V	45.8 AMPS
	AMPS AVAILABLE AT 240V	22.9 AMPS



If you need technical assistance call:

1-866-850-6662

(8:00am - 4:30pm PST, Mon - Fri)